

Dual output 780nm narrow linewidth laser (DFB)

Based on 1560nm fiber DFB seed laser, low noise erbium-doped fiber amplifier and high efficiency frequency doubling module, PreciLasers can provide high power 780nm laser, which is widely used in quantum precision measurement and optical precision measurement.

Features

- Ultra-small size
- Narrow Line width
- Tunable
- Continuous laser

application

- Rubidium Atom Quantum computing
- Rubidium atomic gravimeter
- Precision distance measurement



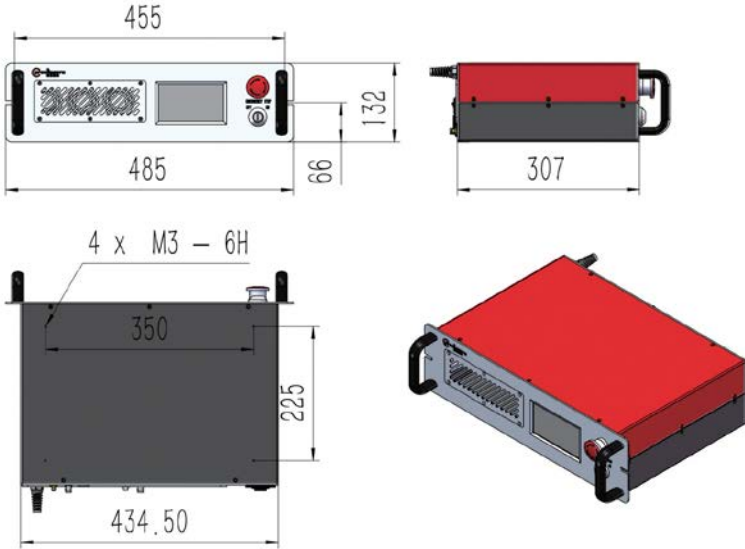
Optical parameters	
Part Number	FECL-SF-780-2-2-CW
illustrate	Two completely independent 780nm frequency-doubled lasers, accepting customization of various structures
Central wavelength	780.24nm
Output power	Independent dual channel output, each output > 2W
Operation Mode	Continuous
Tuning range (temperature)	> 0.5nm, Continuous Never mode-hop
Output Mode	Single-mode polarization-maintaining fiber output ⁽¹⁾
Line width ⁽²⁾ (100usIntegration time)	< 2kHz < 5kHz
Polarization extinction ratio	> 20dB
Power Stability (3 Hours RMS)	< 0.75%
Beam quality	M ² < 1.1
PZT tuning range	> 3GHz
PZT tuning bandwidth	> 5kHz
Cooling method	Air Cooling Water Cooling

(1) Spatially collimated output can also be selected at low power, with a diameter of 0.7-1mm. The single-mode polarization-maintaining fiber has a default FC/APC connector. Please pay attention to the cleanliness of the fiber end face when using it.

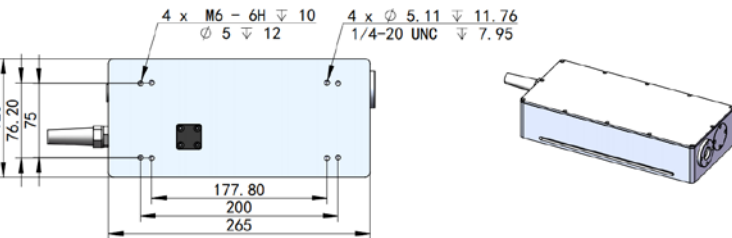
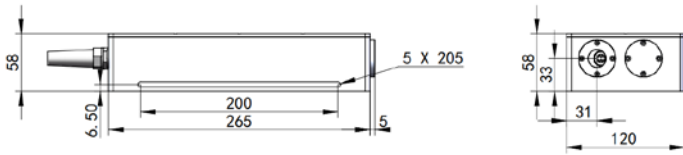
(2) Fiber delay self-heterodyne beat frequency method measurement

Other parameters	
Working temperature	15-25°C
Supply electricity	100-240V AC, 50/60Hz

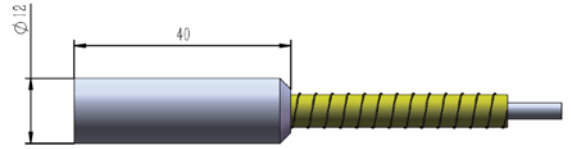
❖ Product Dimensions



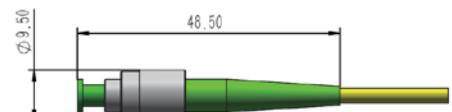
Chassis Dimensions



Spatial frequency doubling output laser head



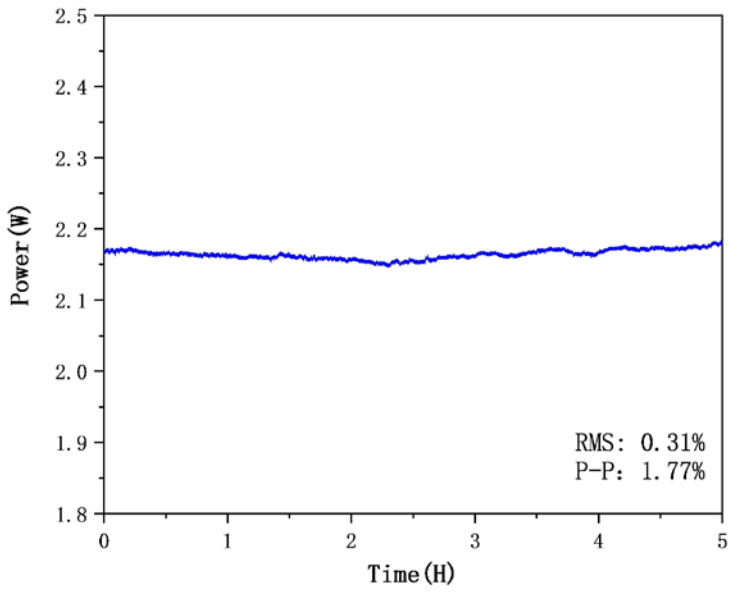
780波导输出准直头



780波导输出跳线头

Single-mode polarization-maintaining fiber output, one of the two, power \leq 2W

❖ Performance index test (typical value)



780nm power stability



Shanghai Precilasers Technology Co., Ltd.
Floor 2, Building 2, No. 1918, Xupan Road, Jiading
District, Shanghai
021-59160265

info@precilasers.com | www.precilasers.com



⚠ Laser Hazard

Visible or invisible laser radiation, avoid eye or skin exposure to direct, reflected or filtered radiation.
CLASS 4 Laser Products